



The BriLux™ V2-SHARP utilized Sharp's new V2-SHARP series power LED in the GU10 base lamp that is capable of producing up to 160 lumens of warm white light with only 4 Watt of power, offering the highest lumens per watt spotlight in the industry.

With our "Cool Beam" thermal solutions, we are able to maximize the light output of our 4 Watt V2-SHARP series spotlight while maintaining a very low heat sink temperature of about 65°C. The V2-SHARP series features one piece of 3.6 Watt V2-SHARP LED.

BriLux™ V2-SHARP series GU10 retrofits into standard GU10 fixtures and housings, hence enables immediate replacement without any additional adjustments.

The **BriLux™ V2-SHARP** series is available in 4 Watt power. They are also available in two distinct white Kelvin temperatures: 2600K (warm white) and 6500K (cool white). Other custom colors are also available. Coupled with the highly optical efficient V2-SHARP LED, the heat generated by the lamp is lower and thus reducing the overall temperature of the product. This improvement makes the spotlight safer to touch and further enhance the product life to more than 50,000 hours.

BriLux™ V2-SHARP series GU10 is equipped with optical grade polycarbonate collimator that allows highest light transmission at 120° beam angle.



Features

- 3.6 Watt V2-SHARP power LED
- Source life: More than 50,000 hours
- Low heat, less than 65°C for 3.6 Watt
- No UV or IR light radiation
- Highest optical efficiency: 50lm/watt
- Homogeneous flood illumination, no haloing effect.
- Sleek designed heat fins with excellent thermal efficiency
- 4 Watt GU10 can achieve directional light output equal to 35 Watt halogen lamp yet consuming 80% less power
- Reverse polarity protection
- Safety Standard: **KEMA, CE, RoHS**
- Check our download section for Warranty
- Works with 230 Volt

Typical Applications

- Landscape Accent/Spot lighting
- Architectural Lighting
- Display Case Accent
- Artwork Lighting
- General lighting





PRODUCT SPECIFICATIONS

LIGHT SOURCE	1X 3.6 Watt V2-SHARP power LED
OPTICS	Optical grade glass lens
LENS DIAMETER	28 mm
BEAM ANGLE	120° (Flood)
RENDERING INDEX (Ra)	>60 (for cool white) >70 (for warm white)
TOTAL LENGTH	58 mm (including pins)
WEIGHT	38 g
HOUSING	Molded aluminum with chrome finish, 5 cm diameter
BASE	GU10
DIMMABILITY	Not Dimmable

ENVIRONMENTAL SPECIFICATIONS

TEMPERATURE RANGE Ambient: -20°C to 40°C; Surface of Lamp: 50°C to 60°C

HUMIDITY RANGE 0 to 95% non-condensing humidity

ELECTRICAL SPECIFICATIONS

VOLTAGE REQUIREMENT	230 Volt
POWER CONSUMPTION	≤ 4 Watt
POWER FACTOR	0.9

PRODUCT DIMENSIONS (mm)

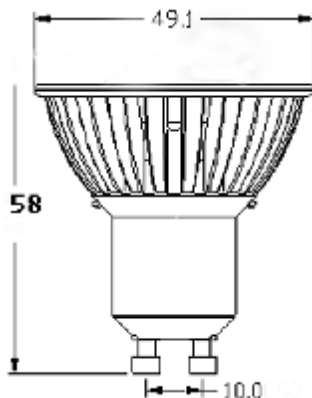


Fig 1. GU10 side view

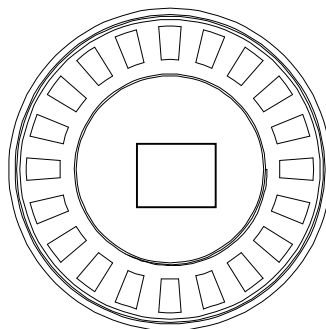
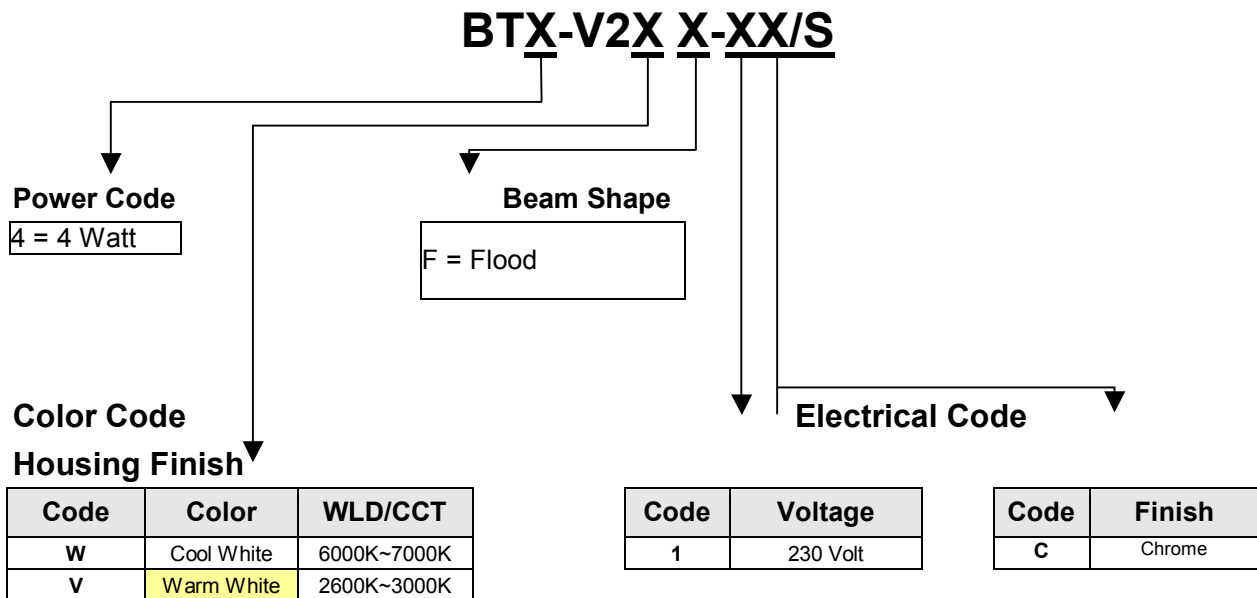


Fig 2. GU10 Top view



PRODUCT ORDERING CODE



4 Watt V2-SHARP GU10 BEAM PRODUCT CODE

ORDER CODE	Color	Wavelength or CCT (nm/K)	Operating Voltage	LED Power (W)	Typical Luminous Flux (lm)	Typical Illuminance @ 1m (Lux)	BEAM ANGLE
BT4-V2WF-2C/S	Cool White	6000K~7000K	230 Volt	1 x 3.6 Watt	180 lm	N.A.	120° ±2°
BT4-V2VF-2C/S	Warm White	2600K~3000K			160 lm	40	

Illumination Characteristics ($T_a=25^\circ\text{C}$)

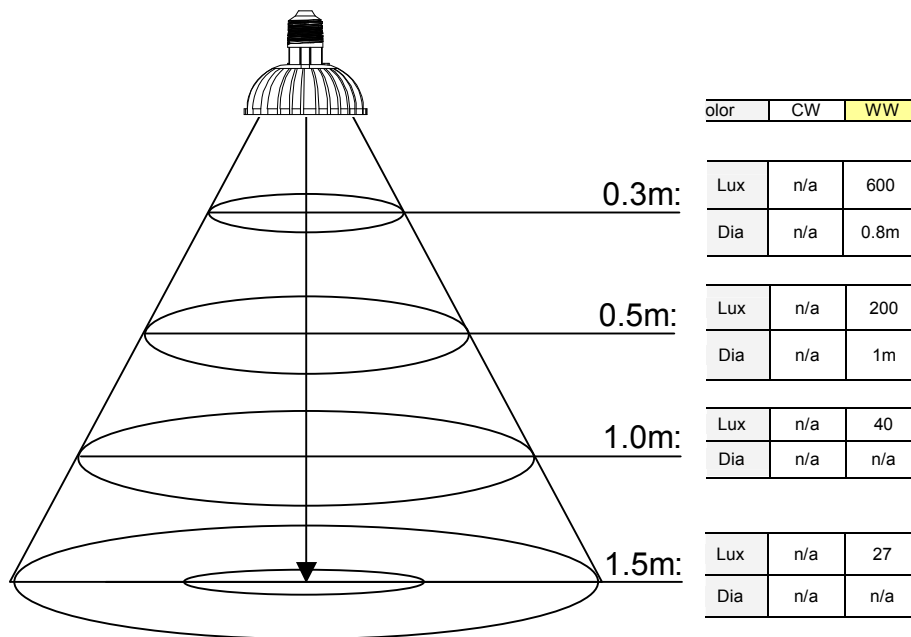


Fig 1. Set up for Illuminance Measurement

Note: a) Center beam lux is measured with Digital Lux Meter (Model TES-1334A)

Typical Electrical Characteristics at $T_a=25^\circ\text{C}$

4 Watt Model

Parameter	Symbol	Min	Typ	Max	Unit
Input Voltage (AC)	V_{AC}	100	-	240	V
LED Forward Current	I_F	—	500	—	mA
Estimated Life ¹		—	50,000	—	hours
Optimized Body Temperature (3.6 Watt LED)	T	—	55	60	$^\circ\text{C}$



THIRD PARTY WARRANTIES

With respect to products sold to the Purchaser by Manufacturer but not manufactured by Manufacturer, MANUFACTURER MAKES NO WARRANTY OF ANY KIND, EXPRESS OR IMPLIED, INCLUDING, WITHOUT LIMITATION, ANY WARRANTY OF MERCHANTABILITY OR FITNESS FOR A PARTICULAR PURPOSE, but will make available to the Purchaser, to the extent permitted by law and relevant contracts,

the warranties of the manufacturer of the relevant product upon the Purchaser's timely written request.

NON-IMPLIED WARRANTIES

THE WARRANTIES GIVEN IN THESE TERMS ARE THE ONLY WARRANTIES GIVEN BY THE MANUFACTURER WITH RESPECT TO THE PRODUCTS AND ARE GIVEN IN LIEU OF ALL OTHER WARRANTIES, EXPRESS OR IMPLIED, INCLUDING, BUT NOT LIMITED TO, WARRANTIES OF MERCHANTABILITY, OF NON INFRINGEMENT AND OF FITNESS FOR A PARTICULAR PURPOSE. PURCHASER'S EXCLUSIVE REMEDIES, AND MANUFACTURER'S SOLE LIABILITY, FOR ANY NONCONFORMITY OR DEFECT IN ANY PRODUCT SHALL BE THOSE EXPRESSED HEREIN.

LIMITATION OF LIABILITY

An essential purpose of the limited exclusive liabilities and remedies in this Agreement is allocation of risks between Manufacturer and Purchaser, which allocation of risks is reflected in the purchase price for the Products. UNDER NO CIRCUMSTANCES SHALL MANUFACTURER'S LIABILITY ARISING OUT OF OR IN CONNECTION WITH THIS AGREEMENT OR MANUFACTURER'S PERFORMANCE OR ASSERTED FAILURE TO PERFORM HEREUNDER, IN CONTRACT, TORT (INCLUDING NEGLIGENCE) OR OTHERWISE, EXCEED THE PURCHASE PRICE OF THE PRODUCT TO WHICH SUCH LIABILITY RELATES. IN NO EVENT SHALL MANUFACTURER BE LIABLE FOR SPECIAL, INCIDENTAL OR CONSEQUENTIAL DAMAGES, INCLUDING, WITHOUT LIMITATION, DAMAGES RESULTING FROM LOSS OF USE, PROFITS, BUSINESS OR GOODWILL, WHETHER OR NOT MANUFACTURER HAS BEEN ADVISED OF THE POSSIBILITY THEREOF.

WARNING:

Patents in China, Europe, USA and Asian Countries have been applied for since April 2007 and we shall not hesitate to bring any manufacturing or distributing parties infringing our Intellectual Property Rights to Court and claim damages.

Patents Pending Product
GU10V2-S-Rev. 1.0c
Specifications are subject to change without notice.
Copyright LINE LITE INTERNATIONAL B.V. All rights reserved