



*“Finally, the BriLux™ upgraded Master series is a family of high power LED based MR11 lamp that is all right. Right looks, right design, right form factor, excellent performance!”*

**BriLux™ M2** series miniature lamps are designed to fit into standard, low voltage, MR11 fixtures and sockets, and project a 35° well-defined spot light. It is well suited for tracks, rails, cables and pendants in interior architectural, retail, exhibit, display and residential applications.

The lamp features standard MR11 bi-pin connectors and sleek unify pure aluminum housing with anodized silver finish. The **BriLux™ M2** MR11 series is available in 3 Watt power rating. They are also available in two distinct white Kelvin temperatures: 3500K and 6500K. Other colors are also available.

The **M2** series utilizes innovative heat management technology specifically developed for the high power (up to 3 Watt power LED) solid state lighting devices. It uniquely allows heat to dissipate properly; making the product thermally stable for long hours of operation and last much longer than conventional LED based MR11.

**BriLux™ M2** series MR11 is equipped with optical grade polycarbonate lens that allows highest light transmission at 35° beam angle.



### Features

- **Light source: 3 Watt Cree XRE LED**
- **Source life: More than 40,000 hours**
- **Low heat, no UV or IR light radiation**
- **Full range of colors**
- **Homogeneous and well defined illumination**
- **Optimized heat sink with the right looks and sleek design**
- **3Watt version can achieve directional light output equal to 15W halogen MR11 lamp consuming 80% less power**
- **Reverse polarity protection**
- **Safety Standard: CE pending**
- **1 year limited warranty**
- **Works with 12V AC/DC lighting systems**

### Typical Applications

- **Spot lighting**
- **Show Case Lighting**
- **Display Case Accent**
- **Artwork Lighting**
- **Ceiling Halogen replacements**





## PRODUCT SPECIFICATIONS

<b>LIGHT SOURCE</b>	1 x3 Watt Cree XRE power LED
<b>OPTICS</b>	Optical Grade PC collimator
<b>LENS DIAMETER</b>	20 mm
<b>BEAM ANGLE</b>	35° (Wide Spot)
<b>MIN BEAM DISTANCE</b>	15 cm
<b>RENDERING INDEX (Ra)</b>	> 70 (for cool white color)
<b>TOTAL LENGTH</b>	34 mm (excluding pins)
<b>WEIGHT</b>	24 g
<b>HOUSING</b>	Machined pure aluminum with anodized silver finish, 35 mm diameter
<b>BASE</b>	G x 4.0
<b>DIMMABILITY</b>	Not Dimmable

## ENVIRONMENTAL SPECIFICATIONS

<b>TEMPERATURE RANGE</b>	Ambient: -20°C to 40°C; Surface of Lamp: 40°C to 50°C
<b>HUMIDITY RANGE</b>	0 to 95% non-condensing humidity

## ELECTRICAL SPECIFICATIONS

<b>VOLTAGE REQUIREMENT</b>	12V AC or 12V DC
<b>POWER CONSUMPTION</b>	3 Watt
<b>TRANSFORMER</b>	Low voltage magnetic or switching power supply to provide 12V AC or 12V DC

**DO NOT CONNECT LAMP TO ELECTRONIC TRANSFORMER**

## PRODUCT DIMENSIONS (mm)

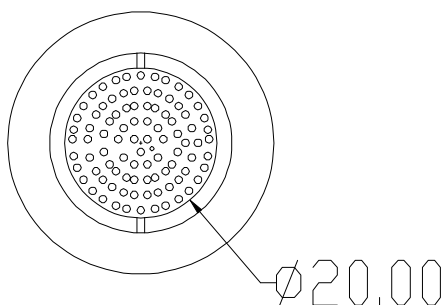


Fig 1. Front View

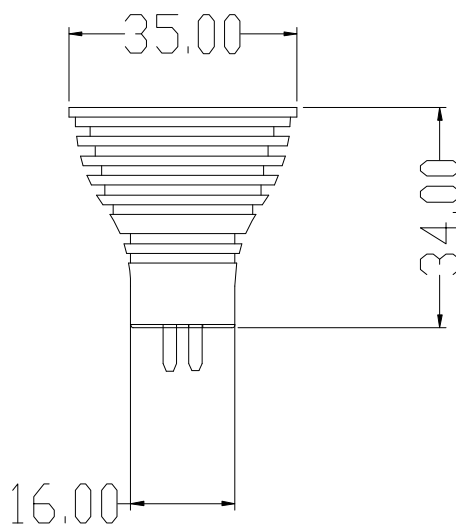
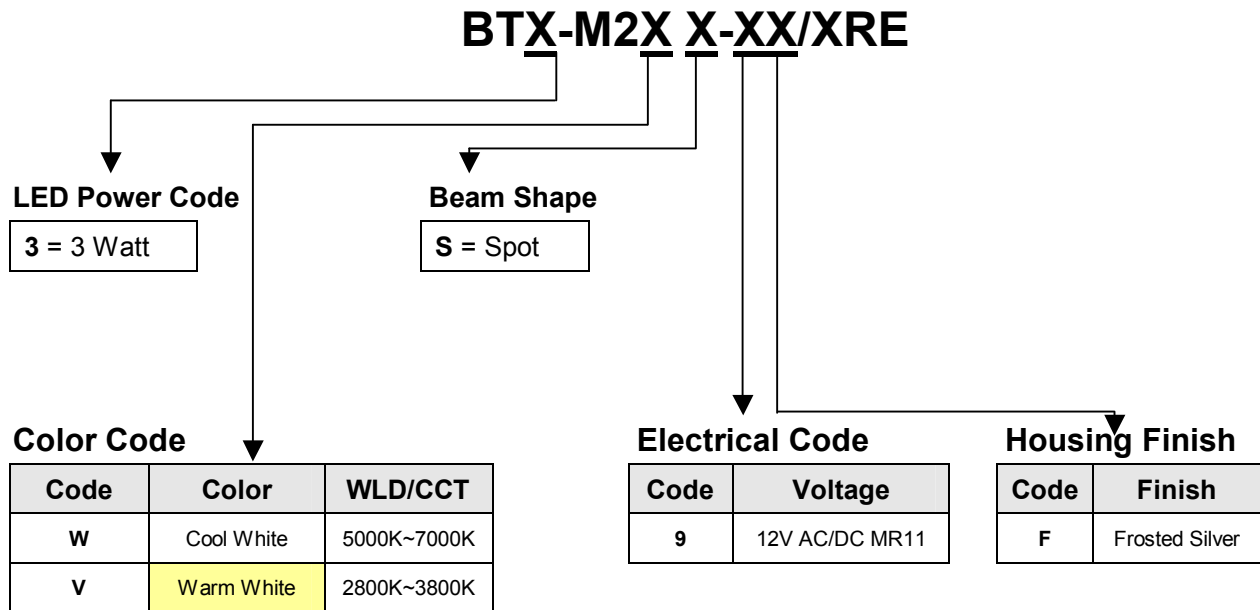


Fig 2. Side View



PRODUCT ORDERING CODE



Wide Spot Model (35° Beam Angle)

ORDER CODE	Color	Wavelength or CCT (nm/K)	Operating Voltage (V)	LED Power (W)	Typical Luminous Flux (lm)	Typical Center Illuminance @ 1 m (Lux)	BEAM ANGLE
BT3-M2WS-9F/XRE	Cool White	5000K~7000K	12V AC/DC	1X3W	100 lm	260	35° ±2°
BT3-M2VS-9F/XRE	Warm White	2800K~3800K			75 lm		

Typical Electrical Characteristics at T<sub>a</sub>=25°C (For 3W Model)

Parameter	Symbol	Min	Typ	Max	Unit
Input Voltage (AC)	V <sub>AC</sub>	10	12	14	V
Input Voltage (DC)	V <sub>DC</sub>	9	12	14	V
LED Forward Current	I <sub>F</sub>	—	500	—	mA
Estimated Life <sup>[6]</sup>		—	40,000	—	Hours
Optimized Body Temperature (3W LED)	T	—	50	58	°C

Note: Lamp is optimized for 12V AC input voltage

Illumination Characteristics( $T_a=25^{\circ}\text{C}$ )

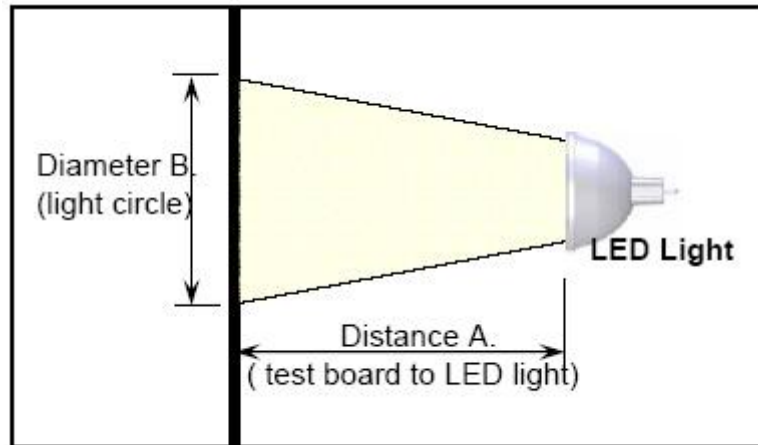


Fig 1. Set up for Illuminance Measurement

**3 Watt Wide Spot Model (35° Beam Angle)**

Distance		Cool White	Warm White
Dist A (cm)	Dia. B (cm)		
30	25		
50	40		
100	90		260
150	140		
200	190		

Notes: Center beam lux is measured with Digital Lux Meter (Model TES-1334A)

Note: All LED MR11 lamps are burnt in for 72 hours before every order shipment