



Lighting solutions that don't cost the earth

3x2 Watt MR 16 CREE Series

The **MR16 V3-CREE** is latest member of V3 series high power LED based MR16 lamp that utilizes the Cool Beam Technology, offering a more economical, high performance and yet thermally stable spotlight.

MR16 V3-CREE series is a member of our "Cool Beam Technology" solution, specially designed for high performance and maximum light intensity. The MR16 V3-CREE series features three pieces of 2 Watt Cree power LEDs; stylish aluminum housing not only provides a fancy look of the future, but also a sophisticated heat sink as it makes heat dissipating more efficient. **MR16 V3-CREE** series retrofits into standard MR16 fixtures and housings. The lamp features standard MR16 bi-pin connectors and molded aluminum housing with chrome or frosted finish. The **MR16 V3-CREE** series is available in 6 Watt power rating. They are also available in three distinct white Kelvin temperatures: 3000K and 6000K.

The **MR16 V3-CREE** series utilizes the Cool Beam Technology specifically developed for driving high power (up to 6 Watt) solid state devices. It uniquely allows heat to dissipate efficiently; making the product thermally stable for long hours of operation and lasts much longer than conventional LED based MR16.

MR16 V3-CREE series is equipped with optical grade POLYCARBONATE collimator that allows highest light transmission at 30° beam angle.



Features

- Light source: 3 x 2 Watt Cree power LED
- **More than 40,000 hours**
- Low heat, less than 68°C for 6 Watt
- no UV or IR light radiation
- Homogeneous illumination
- Sleek designed heat fins with excellent thermal efficiency
- **6 Watt MR16 can achieve directional light output equal to 50W halogen lamp yet consume 80% less power**
- Reverse polarity protection
- Safety Standard: **CE** and RoHS
- 12V AC/DC

Typical Applications

- Spot lighting
- Architectural Lighting
- Display Case Accent
- Artwork Lighting
- Mood Lighting/General lighting
- Accent Lighting
- Museum Lighting






Lighting solutions that don't cost the earth

3x2 Watt MR 16 CREE Series

PRODUCT SPECIFICATIONS

LIGHT SOURCE	3 x 2 Watt Cree power LED
OPTICS	3 pieces optical grade Polycarbonate Lenses
LENS DIAMETER	17.8 mm/each
BEAM ANGLE	30° (Wide Spot)
RENDERING INDEX (Ra)	>70 (for cool white color)
TOTAL LENGTH	52 mm (including pins)
WEIGHT	46 g
HOUSING	Molded aluminum with silver paint finish, 5 cm (2") diameter
BASE	G X 5.3 pins
DIMMERBILITY	Not Dimmable 

ENVIRONMENTAL SPECIFICATIONS

TEMPERATURE RANGE	Ambient: -20°C to 40°C; Surface of Lamp: 50°C to 70°C
HUMIDITY RANGE	0 to 95% non-condensing humidity

ELECTRICAL SPECIFICATIONS

VOLTAGE REQUIREMENT	12V AC or DC
POWER CONSUMPTION	≤ 6 Watt
TRANSFORMER	Low Voltage Magnetic – Copper Wired Transformers to provide 12V AC or 12V DC, as well special LED TRANSFORMERS

DO NOT CONNECT LAMP TO ELECTRONIC TRANSFORMER

PRODUCT DIMENSIONS (mm)

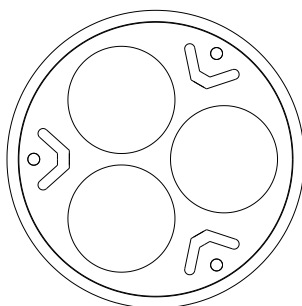


Fig 1. MR16 top view

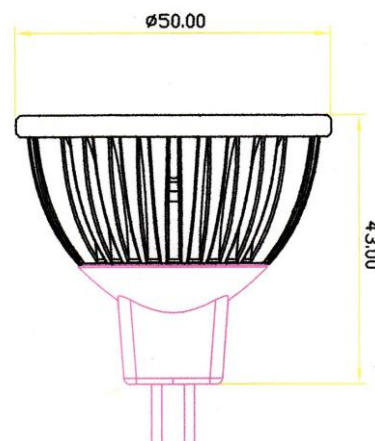


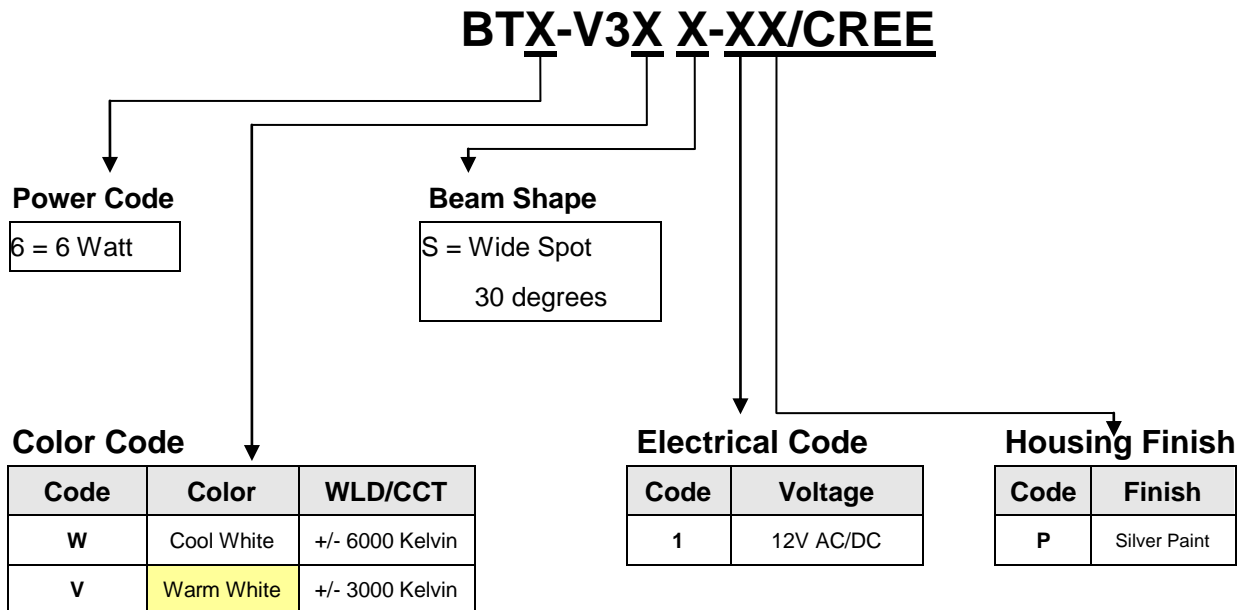
Fig 2. MR16 side view



Lighting solutions that don't cost the earth

3x2 Watt MR 16
CREE Series

PRODUCT ORDERING CODE



3X2W MR16 PRODUCT CODE

ORDER CODE	Color	Wavelength or CCT (nm/K)	Operating Voltage	LED Power (W)	Typ. Luminous Flux (lm)	Typ. Center Illuminance @ 1m (Lux)	BEAM ANGLE
BT6-V3WS-1P/CREE	Cool White	+/- 6000 Kelvin	12V AC/DC	3 x 2 Watt	260 lm	930	30° ±2°
BT6-V3VS-1P/CREE	Warm White	+/- 3000 Kelvin			200 lm	740	

Typical Electrical Characteristics at T_a=25°C

3X2W Model

Parameter	Symbol	Min	Typ	Max	Unit
Input Voltage (AC)	V _{AC}	10	12	14	V
Input Voltage (DC)	V _{DC}	9	10	12	V
Individual LED Forward Current	I _F	—	480	—	mA
Estimated Life ^[1]		—	40,000	—	hours
Optimized Body Temp (3X2W LED)	T	—	65	70	°C

Note[*] – Manufacturer projects V3 spotlight made with Cree LED to maintain an average of 70% lumens maintenance after 40,000 hours. This estimation is made based on data from LED manufacturer

Note: Lamp is optimized for 12V DC input voltage



Lighting solutions that don't cost the earth

3x2 Watt MR 16
CREE Series

THIRD PARTY WARRANTIES

With respect to products sold to the Purchaser by Manufacturer but not manufactured by Manufacturer, MANUFACTURER MAKES NO WARRANTY OF ANY KIND, EXPRESS OR IMPLIED, INCLUDING, WITHOUT LIMITATION, ANY WARRANTY OF MERCHANTABILITY OR FITNESS FOR A PARTICULAR PURPOSE, but will make available to the Purchaser, to the extent permitted by law and relevant contracts, the warranties of the manufacturer of the relevant product upon the Purchaser's timely written request.

NON-IMPLIED WARRANTIES

THE WARRANTIES GIVEN IN THESE TERMS ARE THE ONLY WARRANTIES GIVEN BY THE MANUFACTURER WITH RESPECT TO THE PRODUCTS AND ARE GIVEN IN LIEU OF ALL OTHER WARRANTIES, EXPRESS OR IMPLIED, INCLUDING, BUT NOT LIMITED TO, WARRANTIES OF MERCHANTABILITY, OF NON INFRINGEMENT AND OF FITNESS FOR A PARTICULAR PURPOSE. PURCHASER'S EXCLUSIVE REMEDIES, AND MANUFACTURER'S SOLE LIABILITY, FOR ANY NONCONFORMITY OR DEFECT IN ANY PRODUCT SHALL BE THOSE EXPRESSED HEREIN.

LIMITATION OF LIABILITY

An essential purpose of the limited exclusive liabilities and remedies in this Agreement is allocation of risks between Manufacturer and Purchaser, which allocation of risks is reflected in the purchase price for the Products. UNDER NO CIRCUMSTANCES SHALL MANUFACTURER'S LIABILITY ARISING OUT OF OR IN CONNECTION WITH THIS AGREEMENT OR MANUFACTURER'S PERFORMANCE OR ASSERTED FAILURE TO PERFORM HEREUNDER, IN CONTRACT, TORT (INCLUDING NEGLIGENCE) OR OTHERWISE, EXCEED THE PURCHASE PRICE OF THE PRODUCT TO WHICH SUCH LIABILITY RELATES. IN NO EVENT SHALL MANUFACTURER BE LIABLE FOR SPECIAL, INCIDENTAL OR CONSEQUENTIAL DAMAGES, INCLUDING, WITHOUT LIMITATION, DAMAGES RESULTING FROM LOSS OF USE, PROFITS, BUSINESS OR GOODWILL, WHETHER OR NOT MANUFACTURER HAS BEEN ADVISED OF THE POSSIBILITY THEREOF.

WARNING:

Patents in China, Europe, USA and Asian Countries have been applied for since April 2007 and we shall not hesitate to bring any manufacturing or distributing parties infringing our Intellectual Property Rights to Court and claim damages.

Patents Pending Product
MR16 3x2W Cree – March 2009
Specifications are subject to change without notice.
Copyright LINE LITE INTERNATIONAL B.V. All rights reserved