



The BriLux™ V3 is latest member of V series high power LED based GU10 lamp that utilizes the Cool Beam Technology™, offering a more economical, high performance and more thermally stable spotlight.

BriLux™ V3 series is a member of our “Cool Beam Technology” solutions, specially designed for high performance and maximum light intensity. The V3 series features three pieces of 2 Watt power LED; stylish Aluminum housing not only provides a fancy look of the future, but also a sophisticated heat sink as it makes heat dissipating more efficiently. **BriLux™ V3** series GU10 retrofits into standard GU10 fixtures and housings, hence enables immediate replacement without any additional adjustments.

The lamp features standard GU10 bi-pin connectors and molded aluminum housing with chrome or frosted finish. The **BriLux™ V3** series is available in 6W power rating. They are also available in two distinct white Kelvin temperatures: 3500K and 6000K. Other custom colors are also available.

The **V3** series utilizes the Cool Beam Technology specifically developed for driving high power (up to 6 Watt) Solid State Devices. It uniquely allows heat to dissipate efficiently; making the product thermally stable for long hours of operation and last much longer than conventional 5mm LED based GU10.

BriLux™ V3 series GU10 is equipped with optical grade polycarbonate collimator that allows highest light transmission at 30° beam angle.




- Light source: 3 x 2 Watt LED
- Source life: More than 40,000 hours
- Low heat, no UV or IR light radiation
- Full range of colors
- Homogeneous illumination
- Sleek designed heat fins with excellent thermal efficiency
- 6 Watt GU10 can achieve directional light output equal to 50 Watt halogen lamp yet consume 80% less power
- Safety Standard: **CE** and RoHS

Typical Applications

- Landscape Accent/Spot lighting
- Architectural Lighting
- Display Case Accent
- Artwork Lighting
- Mood Lighting/General lighting
- Amusement Park Accent



PRODUCT SPECIFICATIONS

LIGHT SOURCE	3 x 2 Watt power LED
OPTICS	3 pcs. Optical Grade Polycarbonate Lens / Collimator
LENS DIAMETER	17.8 mm each
BEAM ANGLE	30° (Wide Spot)
MIN BEAM DISTANCE	15cm
RENDERING INDEX (Ra)	>80 (for white color)
TOTAL LENGTH	60 mm (including pins)
WEIGHT	75 g
HOUSING	Molded aluminum with silver paint finish, 5 cm diameter
BASE	GU10 pins
DIMMERBILITY	Not Dimmable 

ENVIRONMENTAL SPECIFICATIONS

TEMPERATURE RANGE	Ambient: -20°C to 40°C; Surface of Lamp: 60°C to 70°C
HUMIDITY RANGE	0 to 95% non-condensing humidity

ELECTRICAL SPECIFICATIONS

VOLTAGE REQUIREMENT	100V AC ~ 240V AC
POWER CONSUMPTION	6 Watt

PRODUCT DIMENSIONS (mm)

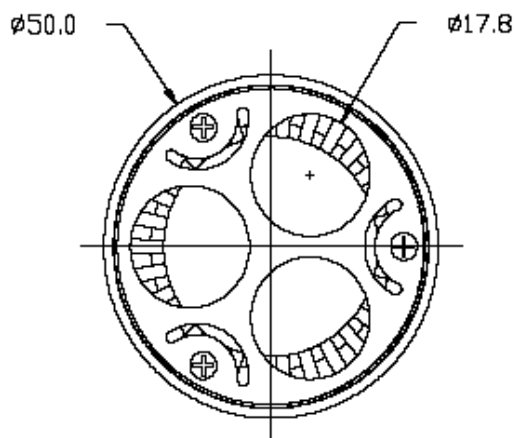


Fig 1. GU10 Top View

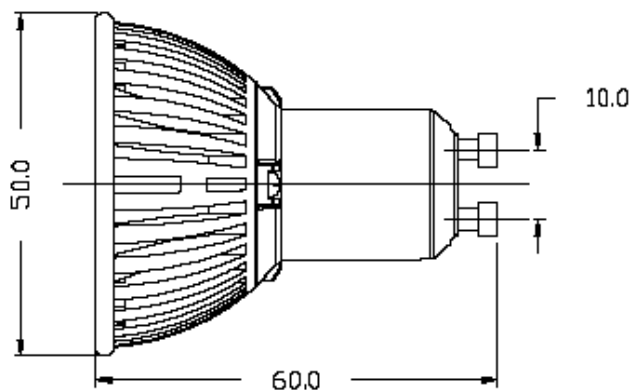
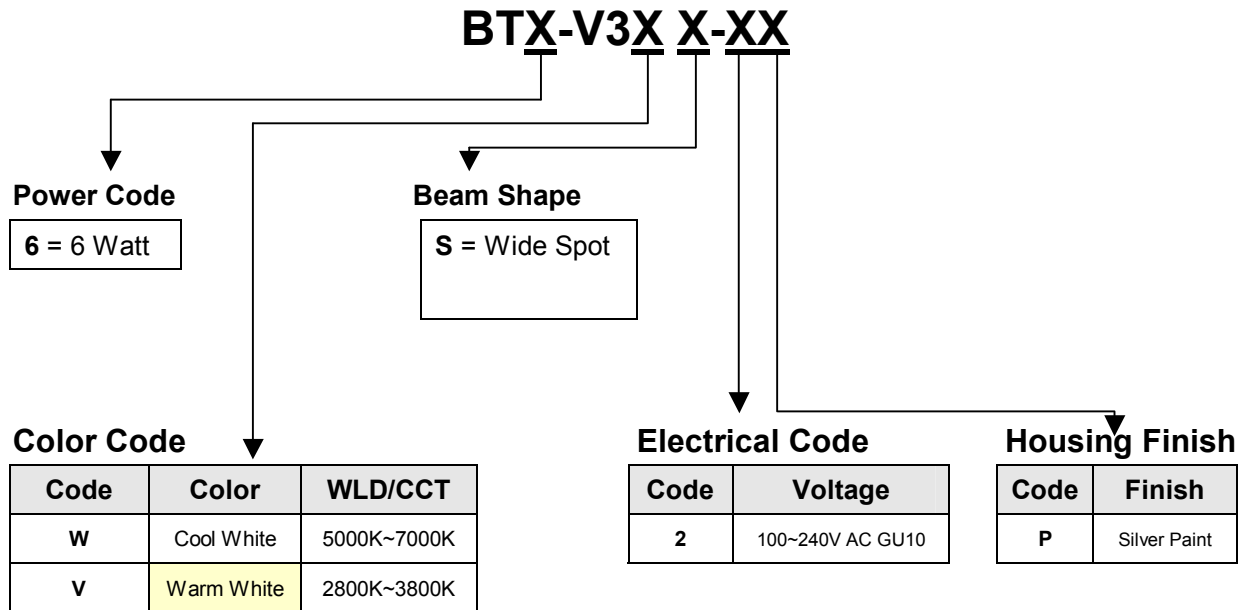


Fig 2. GU10 Side View

PRODUCT ORDERING CODE



3 x 2 Watt GU10 PRODUCT CODE

ORDER CODE	Color	Wavelength or CCT (nm/K)	Operating Voltage	LED Power (W)	Typ. Luminous Flux (lm)	Typ. Center Illuminance @ 1m (Lux)	BEAM ANGLE
BT6-V3WS-2P	Cool White	5000K~7000K	100~240V AC	3 x 2 W	270 lm	1100	30° ±2°
BT6-V3VS-2P	Warm White	2800K~3800K			200 lm	615	

Illumination Characteristics (T_a=25°C)

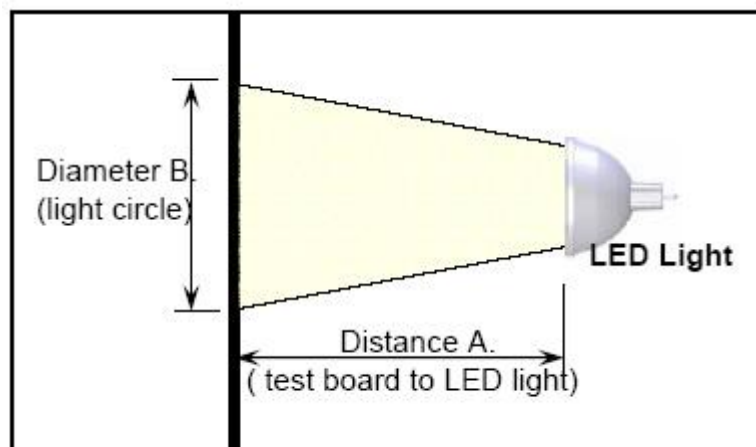


Fig 1. Set up for Illuminance Measurement



3 x 2 Watt Spot Model

Distance		Typical Illuminance Measured at Center of Beam (Lux)					
Dist A (cm)	Dia. B (cm)	Cool White	Warm White				
30	28	—	—				
50	45	4460	3000				
100	86	1140	615				
150	128	—	—				
200	160	—	—				

Note: Center beam lux is measured with Digital Lux Meter (Model TES-1334A)

Typical Electrical Characteristics at T_a=25°C

3 x 2 Watt Model

Parameter	Symbol	Min	Typ	Max	Unit
Input Voltage (AC)	V _{AC}	100	—	240	V
Individual LED Forward Current	I _F	—	580	—	mA
Estimated Life ¹		—	40,000	—	hours
Optimized Body Temp (3X2W LED)	T	—	65	70	°C