



- 1 x 4 Watt SHARP LED
- 50mm Ball Shape Bulb type
- **Instant "ON" to 100% brightness**
- **Dimmable from 0% to 100% brightness**
- **No special dimmers required, lamp has built in dimmer circuit**
- **Shatterproof with silicone coated lens**
- Low heat, less than 60°C for 4 Watt
- No UV or IR light radiation
- No Mercury or other inorganic waste
- Highest luminous efficacy: up to 45Lumen/Watt for Cool White
- Aluminum heat fins with excellent thermal efficiencies
- Available color temperatures:
2600K – 3000K (Warm White)
6000K – 7000K (Cool White)
- 4 Watt LED bulb can achieve directional light output equal to **40 Watt** Ball Shape Bulb in Warm White
- Homogeneous flood illumination in any burn position
- Direct replacement for any incandescent bulb in the dimming circuit
- Patent pending flicker free LED dimming technology
- **KEMA, CE, RoHS**

NEW!

DIMMING RANGE

0%  100%



Typical Applications

- Energy Saving Programs
- Sustainable Energy
- Replace Standard GLS lamps
- Accent Lighting
- Bath and Vanity Lighting
- Mood Lighting





PRODUCT SPECIFICATIONS

LIGHT SOURCE	1 x 4 Watt Sharp Power LED
OPTICS	White Diffused glass lens
BULB TYPE	50 mm ball shape
BEAM ANGLE	120° (Flood)
RENDERING INDEX (Ra)	>70 (warm white) >60 (cool white)
TOTAL LENGTH	See product dimensions below
WEIGHT	52 ± 2 g
HEATSINK	Aluminum with anodized finish
BASE TYPE	E14 / E27
DIMMABILITY	Dimmable by phase-cutting dimmer, standard household dimmer

ENVIRONMENTAL SPECIFICATIONS

TEMPERATURE RANGE	Ambient: -20°C to 40°C; Surface of Lamp: 60°C to 70°C
HUMIDITY RANGE	0 to 95% non-condensing humidity

ELECTRICAL SPECIFICATIONS

VOLTAGE REQUIREMENT	230V AC
POWER CONSUMPTION	3.8 Watt

PRODUCT DIMENSIONS (mm)

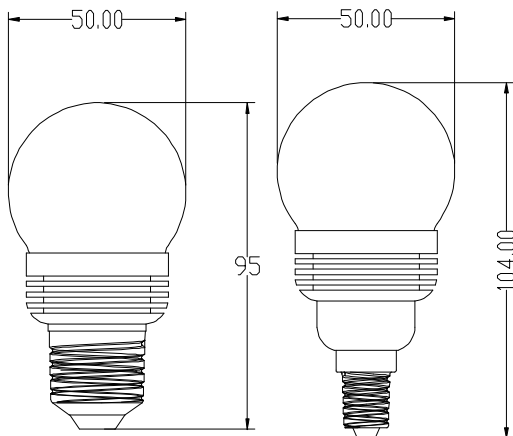


Fig 1. E27 Base

Fig 2. E14 Base





PRODUCT ORDERING CODE

ORDER CODE	Color	CCT (nm/K)	Base Type	Operating Voltage	LED Power (W)	Typical Luminous Flux (Lm)	Typical Illuminance @ 2m (Lux)	BEAM ANGLE
G50W-E27-3-220/S	Cool White	6000K~7000K	E27	220 VAC	1X4 Watt	280 Lm	n/a	120° ±2°
G50V-E27-3-220/S	Warm White	2600K~3000K				180 Lm	6	
G50W-E14-3-220/S	Cool White	6000K~7000K	E14			280 Lm	n/a	
G50V-E14-3-220/S	Warm White	2600K~3000K				180 Lm	6	

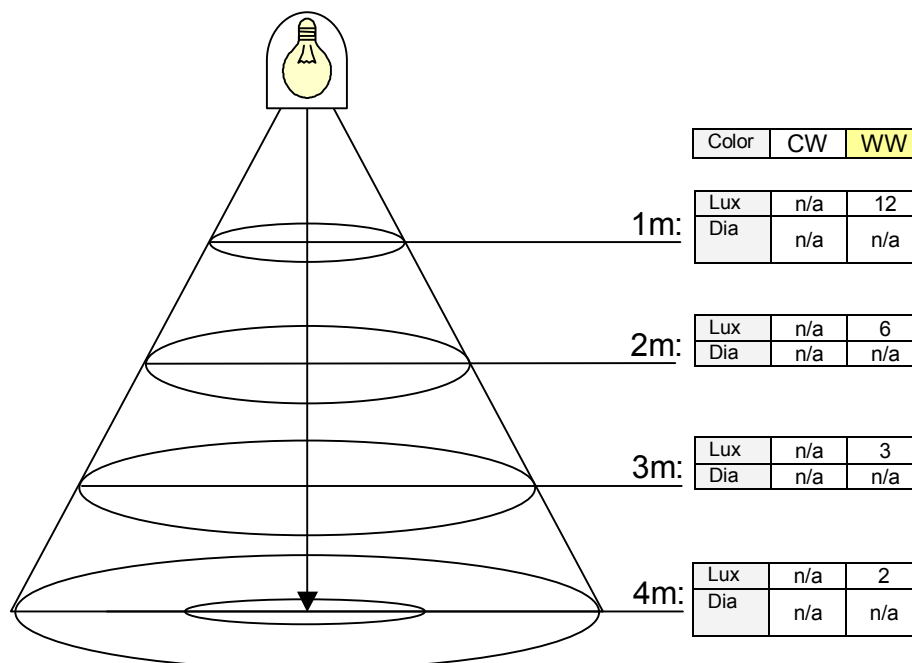
Typical Electrical Characteristics at T_a=25°C

4 Watt Model

Parameter	Symbol	Min	Typ	Max	Unit
Input Voltage (220V AC)	V _{AC}	200	—	240	V
LED Forward Current	I _F	—	350	—	mA
Estimated Life ^[1]		—	50,000	—	hours
Optimized Body Temperature (1X4 Watt LED)	T	—	55	60	°C

Note[*] – Manufacturer projects EcoDIM lamp made with Sharp LED to maintain an average of 70% lumens maintenance after 50,000 hours. This estimation is made based on data from LED manufacturer

LED Bulb Illuminance Measurement



Notes: 1) EcoDIM Bulb typical illuminance data is measured with the LED bulb installed in recess reflector can
 2) Center beam lux is measured with Digital Lux Meter (Model TES-1334A)



THIRD PARTY WARRANTIES

With respect to products sold to the Purchaser by Manufacturer but not manufactured by Manufacturer, MANUFACTURER MAKES NO WARRANTY OF ANY KIND, EXPRESS OR IMPLIED, INCLUDING, WITHOUT LIMITATION, ANY WARRANTY OF MERCHANTABILITY OR FITNESS FOR A PARTICULAR PURPOSE, but will make available to the Purchaser, to the extent permitted by law and relevant contracts, the warranties of the manufacturer of the relevant product upon the Purchaser's timely written request.

NON-IMPLIED WARRANTIES

THE WARRANTIES GIVEN IN THESE TERMS ARE THE ONLY WARRANTIES GIVEN BY THE MANUFACTURER WITH RESPECT TO THE PRODUCTS AND ARE GIVEN IN LIEU OF ALL OTHER WARRANTIES, EXPRESS OR IMPLIED, INCLUDING, BUT NOT LIMITED TO, WARRANTIES OF MERCHANTABILITY, OF NON INFRINGEMENT AND OF FITNESS FOR A PARTICULAR PURPOSE. PURCHASER'S EXCLUSIVE REMEDIES, AND MANUFACTURER'S SOLE LIABILITY, FOR ANY NONCONFORMITY OR DEFECT IN ANY PRODUCT SHALL BE THOSE EXPRESSED HEREIN.

LIMITATION OF LIABILITY

An essential purpose of the limited exclusive liabilities and remedies in this Agreement is allocation of risks between Manufacturer and Purchaser, which allocation of risks is reflected in the purchase price for the Products. UNDER NO CIRCUMSTANCES SHALL MANUFACTURER'S LIABILITY ARISING OUT OF OR IN CONNECTION WITH THIS AGREEMENT OR MANUFACTURER'S PERFORMANCE OR ASSERTED FAILURE TO PERFORM HEREUNDER, IN CONTRACT, TORT (INCLUDING NEGLIGENCE) OR OTHERWISE, EXCEED THE PURCHASE PRICE OF THE PRODUCT TO WHICH SUCH LIABILITY RELATES. IN NO EVENT SHALL MANUFACTURER BE LIABLE FOR SPECIAL, INCIDENTAL OR CONSEQUENTIAL DAMAGES, INCLUDING, WITHOUT LIMITATION, DAMAGES RESULTING FROM LOSS OF USE, PROFITS, BUSINESS OR GOODWILL, WHETHER OR NOT MANUFACTURER HAS BEEN ADVISED OF THE POSSIBILITY THEREOF.

WARNING:

Patents in China, Europe, USA and Asian Countries have been applied for since April 2007 and we shall not hesitate to bring any manufacturing or distributing parties infringing our Intellectual Property Rights to Court and claim damages.

4W EcoDIM – PS60/SD Rev. 1.0a
Specifications are subject to change without notice.
Copyright LINE LITE INTERNATIONAL B.V.
All rights reserved