



- 4 Watt SHARP Power LED
- More than 50,000 hours life
- **40° Beam Angle Frosted Lens**
- Low heat, no UV or IR light radiation
- Homogeneous and well defined illumination
- Highest Luminous Efficacy: 50 Lm/Watt for Cool White colour
- Optimized heat sink with the right looks and sleek design
- 4 Watt version can achieve directional light output equal to 50 Watt halogen lamp yet consuming 80% less power
- Reverse polarity protection
- Safety Standard: **CE, KEMA and RoHS**
- 230V AC/DC



Typical Applications

- Spot lighting
- Architectural Lighting
- Display Case Accent
- Artwork Lighting
- Mood Lighting
- Amusement Park Accent
- Museum Lighting





PRODUCT SPECIFICATIONS

| | |
|-----------------------------|--|
| LIGHT SOURCE | 4 Watt SHARP Power LED |
| OPTICS | Polycarbonate Frosted Lens |
| LENS DIAMETER | 33 mm |
| BEAM ANGLE | 40° (Wide Spot) |
| RENDERING INDEX (Ra) | > 60 (cool white) > 70 (warm white) |
| TOTAL LENGTH | 61.6 mm (including pins) |
| WEIGHT | 50g |
| HOUSING | Aluminum with Anodized Silver Finish, 5 cm (2") diameter |
| BASE | GU10 pins |
| DIMMABILITY | Not Dimmable |

ENVIRONMENTAL SPECIFICATIONS

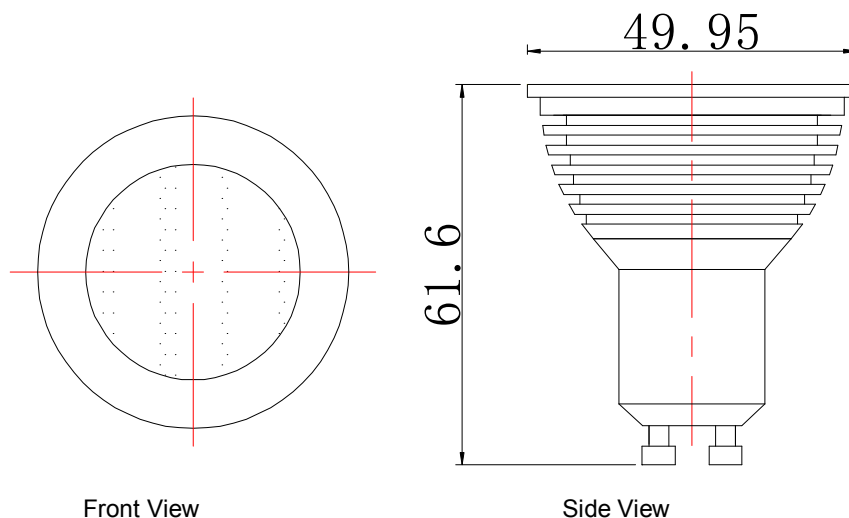
TEMPERATURE RANGE Ambient: -20°C to 40°C; Surface of Lamp: 40°C to 50°C

HUMIDITY RANGE 0 to 95% non-condensing humidity

ELECTRICAL SPECIFICATIONS

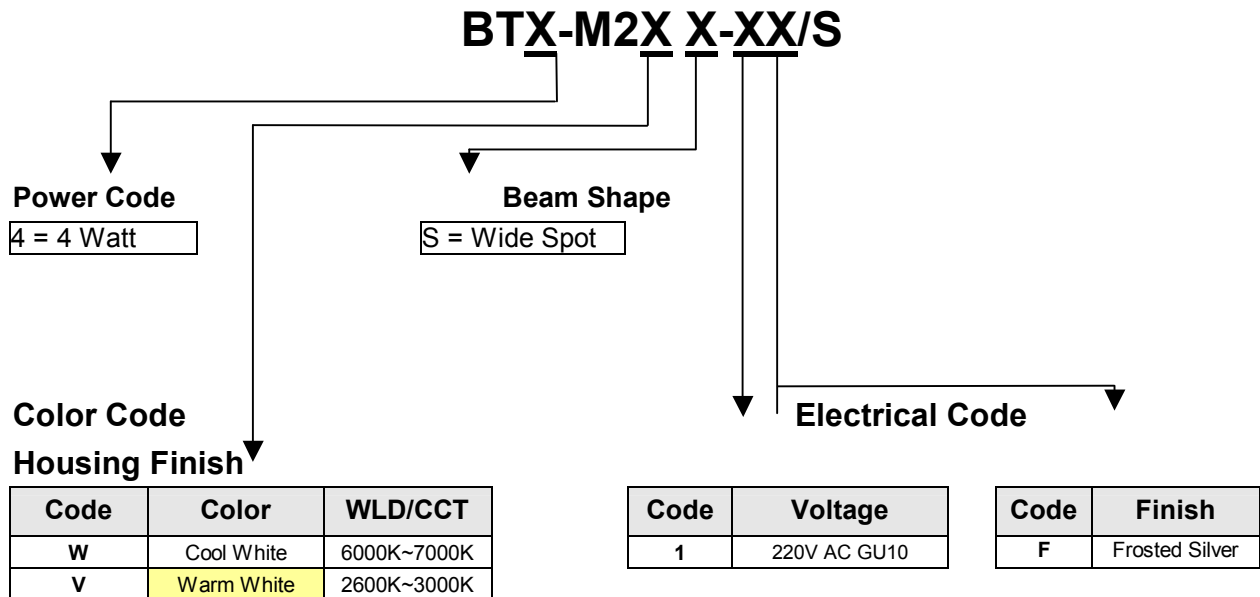
| | |
|----------------------------|----------|
| VOLTAGE REQUIREMENT | 220V AC |
| POWER CONSUMPTION | ≤ 4 Watt |
| POWER FACTOR | ≥ 0.6 |

PRODUCT DIMENSIONS (mm)





PRODUCT ORDERING CODE



Wide Spot Model (40° Beam Angle)

| ORDER CODE | Color | CCT (K) | Operating Voltage (V) | LED Power (W) | Typical Luminous Flux (lm) | Typical Illuminance @ 1m (Lux) | BEAM ANGLE |
|---------------|------------|-------------|-----------------------|---------------|----------------------------|--------------------------------|------------|
| BT4-M2WS-2F/S | Cool White | 6000K~7000K | 220V AC | 1 x 4W | 200lm | 500 | 40° ±2° |
| BT4-M2VS-2F/S | Warm White | 2600K~3000K | | | 150 lm | 430 | |

Typical Electrical Characteristics at T_a=25°C (For 4 Watt Model)

| Parameter | Symbol | Min | Typ | Max | Unit |
|---|-----------------|-----|--------|-----|-------|
| Input Voltage (220V AC) | V _{AC} | 200 | 220 | 240 | V |
| LED Forward Current | I _F | — | 330 | — | mA |
| Estimated Life ^[6] | | — | 50,000 | — | Hours |
| Optimized Body Temperature (4 Watt LED) | T | — | 57 | 60 | °C |



Illumination Characteristics($T_a=25^{\circ}\text{C}$)

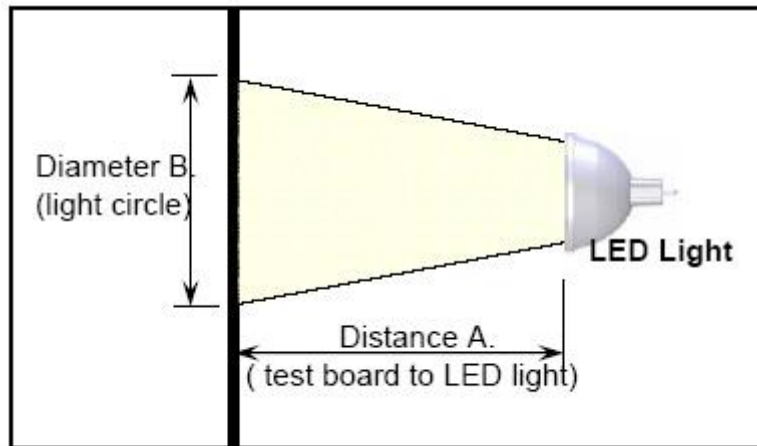


Fig 1. Set up for Illuminance Measurement

4 Watt Wide Spot Model (40° Beam Angle)

| Distance | | 4 Watt Typical Illuminance Measured at Center of Beam (Lux) | |
|-------------|-------------|---|------------|
| Dist A (cm) | Dia. B (cm) | Cool White | Warm White |
| 50 | 30 | 2400 | 1800 |
| 100 | 60 | 500 | 430 |
| 150 | 90 | 250 | 190 |
| 200 | 120 | 170 | 110 |

Notes: Center beam lux is measured with Digital Lux Meter (Model TES-1334A)

Note: All LED GU10 lamps are burnt in for 72 hours before every order shipment



THIRD PARTY WARRANTIES

With respect to products sold to the Purchaser by Manufacturer but not manufactured by Manufacturer, MANUFACTURER MAKES NO WARRANTY OF ANY KIND, EXPRESS OR IMPLIED, INCLUDING, WITHOUT LIMITATION, ANY WARRANTY OF MERCHANTABILITY OR FITNESS FOR A PARTICULAR PURPOSE, but will make available to the Purchaser, to the extent permitted by law and relevant contracts,

the warranties of the manufacturer of the relevant product upon the Purchaser's timely written request.

NON-IMPLIED WARRANTIES

THE WARRANTIES GIVEN IN THESE TERMS ARE THE ONLY WARRANTIES GIVEN BY THE MANUFACTURER WITH RESPECT TO THE PRODUCTS AND ARE GIVEN IN LIEU OF ALL OTHER WARRANTIES, EXPRESS OR IMPLIED, INCLUDING, BUT NOT LIMITED TO, WARRANTIES OF MERCHANTABILITY, OF NON INFRINGEMENT AND OF FITNESS FOR A PARTICULAR PURPOSE. PURCHASER'S EXCLUSIVE REMEDIES, AND MANUFACTURER'S SOLE LIABILITY, FOR ANY NONCONFORMITY OR DEFECT IN ANY PRODUCT SHALL BE THOSE EXPRESSED HEREIN.

LIMITATION OF LIABILITY

An essential purpose of the limited exclusive liabilities and remedies in this Agreement is allocation of risks between Manufacturer and Purchaser, which allocation of risks is reflected in the purchase price for the Products. UNDER NO CIRCUMSTANCES SHALL MANUFACTURER'S LIABILITY ARISING OUT OF OR IN CONNECTION WITH THIS AGREEMENT OR MANUFACTURER'S PERFORMANCE OR ASSERTED FAILURE TO PERFORM HEREUNDER, IN CONTRACT, TORT (INCLUDING NEGLIGENCE) OR OTHERWISE, EXCEED THE PURCHASE PRICE OF THE PRODUCT TO WHICH SUCH LIABILITY RELATES. IN NO EVENT SHALL MANUFACTURER BE LIABLE FOR SPECIAL, INCIDENTAL OR CONSEQUENTIAL DAMAGES, INCLUDING, WITHOUT LIMITATION, DAMAGES RESULTING FROM LOSS OF USE, PROFITS, BUSINESS OR GOODWILL, WHETHER OR NOT MANUFACTURER HAS BEEN ADVISED OF THE POSSIBILITY THEREOF.

WARNING:

Patents in China, Europe, USA and Asian Countries have been applied for since April 2007 and we shall not hesitate to bring any manufacturing or distributing parties infringing our Intellectual Property Rights to Court and claim damages.

Patents Pending Product
GU10 M2 SHARP
Specifications are subject to change without notice.
Copyright LINE LITE INTERNATIONAL B.V. All rights reserved