



Lighting solutions that don't cost the earth

## 4-Head MR11 display series

### Features and Benefits

- Light source: 4 x 3 Watt Cree XRE LED
- Source life: More than 40,000 hours
- Low heat, no UV or IR light radiation
- Full range of colors
- Fully dimmable on any commercial dimmer
- Homogeneous and well defined illumination
- Sleek tower design, with multiple light heads
- All lamp heads can tilt 180° in all direction
- 12W version can achieve directional light output equal to 90W halogen MR11 lamp yet consume 80% less power
- **CE** and RoHS
- Works with 110VAC or 220VAC lighting systems



### Typical Applications

- Spot lighting
- Show Case Lighting
- Display Case Accent
- Artwork Lighting



DIMMING RANGE

0%



100%



## PRODUCT SPECIFICATIONS

<b>LIGHT SOURCE</b>	4 X 3 Watt Cree XRE power LED
<b>OPTICS</b>	4 x optical grade PC collimator
<b>LENS DIAMETER</b>	20 mm
<b>BEAM ANGLE</b>	60° (Wide Spot)
<b>RENDERING INDEX (Ra) &gt;</b>	70 (for cool white)
<b>TOTAL LENGTH</b>	272mm (excluding wires)
<b>WEIGHT</b>	530g
<b>HOUSING</b>	Machined copper with chromed finish
<b>BASE</b>	screw thread with M12 lug nut + 1.5m bi-wire
<b>POWER SUPPLY</b>	Dimmable LED driver or Non-dimmable LED driver
<b>DIMMERBILITY</b>	Dimmable on standard commercial dimmer

## ENVIRONMENTAL SPECIFICATIONS

<b>TEMPERATURE RANGE</b>	Ambient: -20°C to 40°C; Surface of Lamp: 40°C to 50°C
<b>HUMIDITY RANGE</b>	0 to 95% non-condensing humidity

## ELECTRICAL SPECIFICATIONS

<b>VOLTAGE REQUIREMENT</b>	110V or 220V AC (LED Driver input voltage)
<b>LAMP INPUT VOLTAGE</b>	15V DC
<b>POWER CONSUMPTION</b>	≤ 12 Watt
<b>POWER FACTOR</b>	> 0.6

## PRODUCT DIMENSIONS (mm)

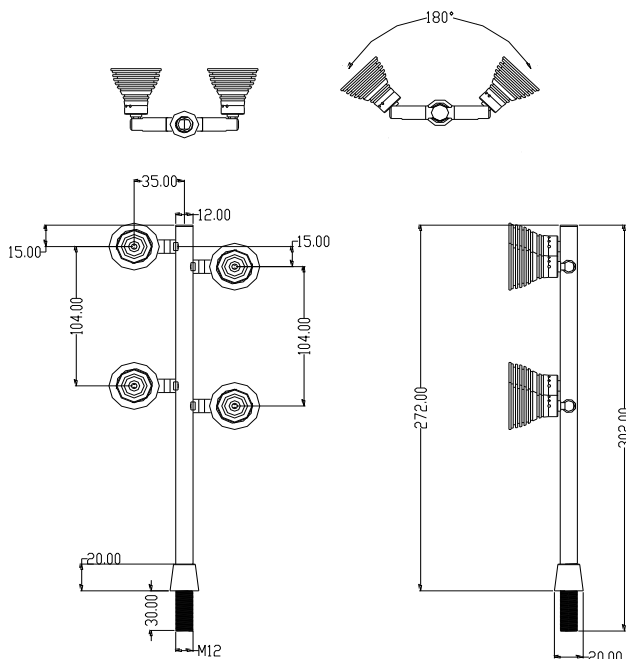
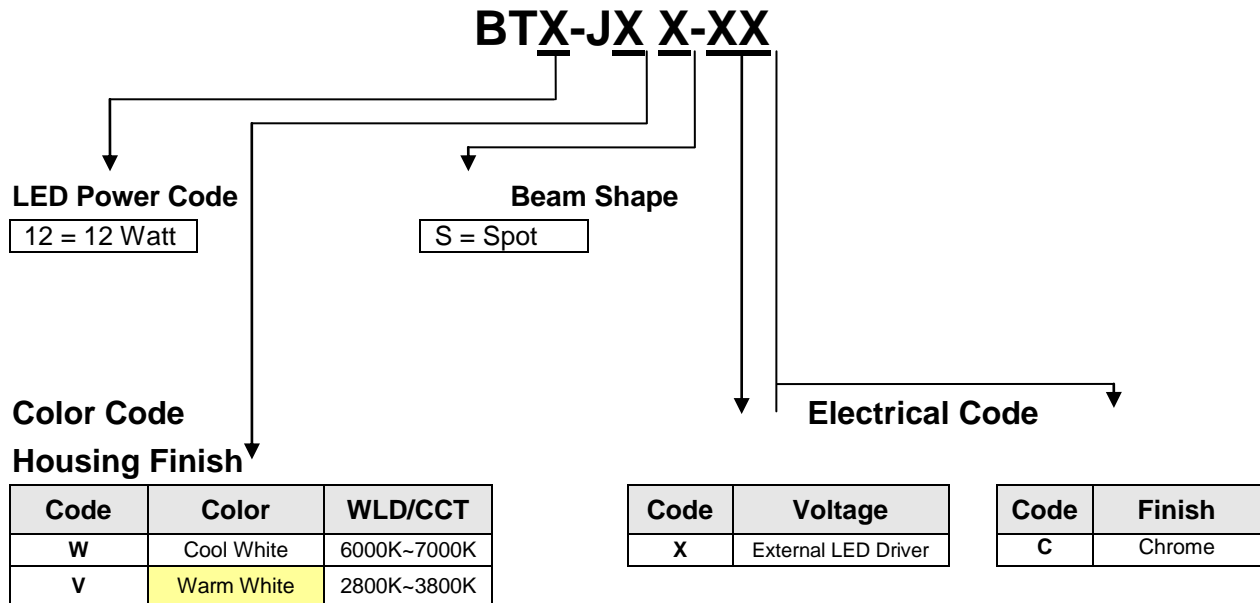


Fig1. Front View

Fig 2. Side View



PRODUCT ORDERING CODE



Wide Spot Model (60° Beam Angle)

ORDER CODE	Color	Color Temperature CCT (K)	Lamp Operating Voltage (V)	LED Power (W)	Typical Luminous Flux per head (lm)	Typical Center Illuminance @ 1 m per head (Lux)	BEAM ANGLE per head
BT12-JWS-XC	Cool White	6000K~7000K	15V DC	4X3 Watt	140 lm	210	60° ±2°
BT12-JVS-XC	Warm White	2800K~3800K			100 lm		

Typical Electrical Characteristics at T<sub>a</sub>=25°C (For Each Head)

Parameter	Symbol	Min	Typ	Max	Unit
LED Driver Input Voltage (AC) 110V	V <sub>AC</sub>	0	—	140	V
LED Driver Input Voltage (AC) 220V	V <sub>AC</sub>	0	—	260	V
LED Forward Current	I <sub>F</sub>	10	—	650	mA
Estimated Life <sup>l</sup>		—	40,000	—	hours
Optimized Body Temperature (3X3 Watt LED)	T	—	60	65	°C

Note[\*] – Manufacturer projects recess lamp made with Sharp power LED to maintain an average of 70%

lumens maintenance after 50,000 hours. This estimation is made based on data from LED manufacturer

– Lamp is optimized for 15V DC input voltage



Illumination Characteristics( $T_a=25^{\circ}C$ )

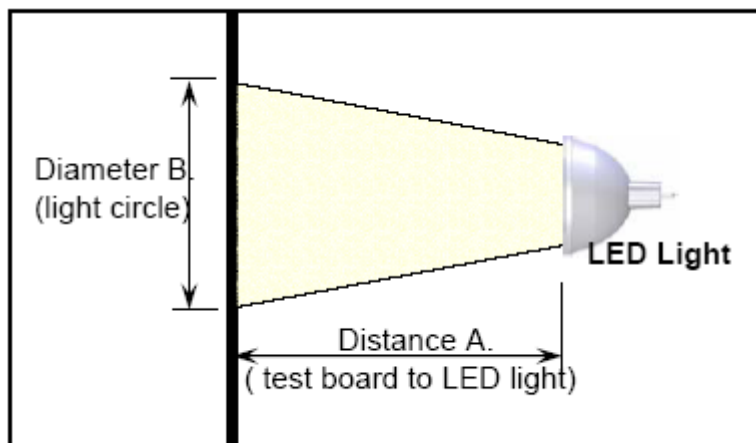


Fig 1. Set up for Illuminance Measurement

Individual Head Illuminance Measurement (60° Beam Angle)

Distance		Individual Head Typical Illuminance Measured at Center of Beam (Lux)	
Dist A (cm)	Dia. B (cm)	Cool White	Warm White
30	25	2050	
50	40	370	
100	90	210	
150	140	94	

Notes: Center beam lux is measured with Digital Lux Meter (Model TES-1334A)

Note: All LED MR11 tower lamps are burnt in for 72 hours before every order shipment



### **LIMITED WARRANTY**

Manufacturer warrants to the Purchaser that each Product manufactured and sold by it will be free from defects in material and workmanship in its intended use (normal wear and tear excepted) for the period of one year from date of Purchaser's purchase (the invoice date) from Manufacturer. Manufacturer's warranty flows only to Purchaser. If any Product covered by this warranty is returned by Purchaser in accordance with Manufacturer's Products Return Policy, including without limitation its return authorization provisions, within the applicable warranty period set forth above, and upon examination Manufacturer determines to its satisfaction that such Product was defective in material or workmanship at the time of delivery to the Purchaser, Manufacturer will, at its option, repair or replace the Product or the defective part thereof, or reimburse Purchaser for the purchase price. For purposes of clarity, "repair or replace the Product or the defective part thereof" does not include any reinstallation costs or expenses. If Manufacturer chooses to replace the Product and is not able to do so because it has been discontinued or is not available, Manufacturer may replace it with a comparable product. The Products Return Policy is posted on Manufacturer's Internet web site at [www.linelite.com](http://www.linelite.com). The foregoing notwithstanding, Manufacturer will not be responsible for damage to any Product resulting from misuse, negligence, acts of God or accident or resulting from repairs or alterations made by any person or firm not duly authorized by Manufacturer in writing. Purchaser shall convey with each Product distributed to end users the MANUFACTURER'S LIMITED WARRANTY included by Manufacturer with such Product, and, if Manufacturer determines that the appropriate remedy for a defective product is refund of Purchaser's purchase price, Purchaser shall refund to the end user (or arrange for the refund to the end user of) the full purchase price paid by the end user for such defective Product.

### **THIRD PARTY WARRANTIES**

With respect to products sold to the Purchaser by Manufacturer but not manufactured by Manufacturer, MANUFACTURER MAKES NO WARRANTY OF ANY KIND, EXPRESS OR IMPLIED, INCLUDING, WITHOUT LIMITATION, ANY WARRANTY OF MERCHANTABILITY OR FITNESS FOR A PARTICULAR PURPOSE, but will make available to the Purchaser, to the extent permitted by law and relevant contracts, the warranties of the manufacturer of the relevant product upon the Purchaser's timely written request.

### **NON-IMPLIED WARRANTIES**

THE WARRANTIES GIVEN IN THESE TERMS ARE THE ONLY WARRANTIES GIVEN BY THE MANUFACTURER WITH RESPECT TO THE PRODUCTS AND ARE GIVEN IN LIEU OF ALL OTHER WARRANTIES, EXPRESS OR IMPLIED, INCLUDING, BUT NOT LIMITED TO, WARRANTIES OF MERCHANTABILITY, OF NON INFRINGEMENT AND OF FITNESS FOR A PARTICULAR PURPOSE. PURCHASER'S EXCLUSIVE REMEDIES, AND MANUFACTURER'S SOLE LIABILITY, FOR ANY NONCONFORMITY OR DEFECT IN ANY PRODUCT SHALL BE THOSE EXPRESSED HEREIN.

### **LIMITATION OF LIABILITY**

An essential purpose of the limited exclusive liabilities and remedies in this Agreement is allocation of risks between Manufacturer and Purchaser, which allocation of risks is reflected in the purchase price for the Products. UNDER NO CIRCUMSTANCES SHALL MANUFACTURER'S LIABILITY ARISING OUT OF OR IN CONNECTION WITH THIS AGREEMENT OR MANUFACTURER'S PERFORMANCE OR ASSERTED FAILURE TO PERFORM HEREUNDER, IN CONTRACT, TORT (INCLUDING NEGLIGENCE) OR OTHERWISE, EXCEED THE PURCHASE PRICE OF THE PRODUCT TO WHICH SUCH LIABILITY RELATES. IN NO EVENT SHALL MANUFACTURER BE LIABLE FOR SPECIAL, INCIDENTAL OR CONSEQUENTIAL DAMAGES, INCLUDING, WITHOUT LIMITATION, DAMAGES RESULTING FROM LOSS OF USE, PROFITS, BUSINESS OR GOODWILL, WHETHER OR NOT MANUFACTURER HAS BEEN ADVISED OF THE POSSIBILITY THEREOF.

Patents Pending Product  
MR11-Tower M4

Specifications are subject to change without notice.

Copyright LINE LITE INTERNATIONAL B.V.

All rights reserved

### **WARNING:**

**Patents in China, Europe, USA and Asian Countries have been applied for since April 2007 and we shall not hesitate to bring any manufacturing or distributing parties infringing our Intellectual Property Rights to Court and claim damages.**