



“The BriLux™ Starline series combine the brightness of power LEDs with a rugged heatsink capable of operating in excess of 7 watt. Starline series leads the solid state spot lighting industry in brightness while providing a plug and play solution for lighting designers.”

BriLux™ S series compact lamps are designed to fit into standard E27 fixtures and sockets, and project a very narrow spot light at 10° narrow angle. It is well suited for tracks, rails, cables and pendants in interior architectural, retail, exhibit, display and residential applications.

The lamp features standard E27 base connectors and molded aluminum housing with chrome finish. The BriLux™ S series is available in 7W power rating. They are also available in two distinct white Kelvin temperatures: 3500K and 6000K. Other custom colors are also available.

The S series utilizes Cool Beam Technology specifically developed for driving high power (up to 22W) solid state lighting devices. It uniquely allows heat to dissipate properly; making the product thermally stable for long hours of operation and last much longer than conventional halogen and 5mm LED based E27.

BriLux™ S series E27 is equipped with optical grade polycarbonate lens that allows highest light transmission at 10° beam angle.



Features

- Light source: 7 pieces 1W power LED
- Source life: more than 30,000 hours
- Low heat, no UV or IR light radiation
- Full range of colors
- Homogeneous illumination
- Molded heat sink for excellent heat management
- 7W E27 can achieve directional light output equal to 50W incandescent lamp yet consume 80% less power
- CE certification pending
- 1 year limited warranty
- Works with worldwide electrical systems (100~240V AC)

Typical Applications

- Landscape Accent/Spot lighting
- Architectural Lighting
- Display Case Accent
- Art work Lighting





PRODUCT SPECIFICATIONS

LIGHT SOURCE	7 X 1W power LED
OPTICS	Optical grade PC cluster lens
BEAM ANGLE	10° (Narrow Spot)
RENDERING INDEX (Ra)	> 70 (for cool white color)
TOTAL LENGTH	68 mm (including pins)
WEIGHT	96 g
HOUSING	Molded aluminum with chrome or black anodized finish, 50mm diameter
BASE	E27 Edison screw base
DIMMABILITY	Not Dimmerble

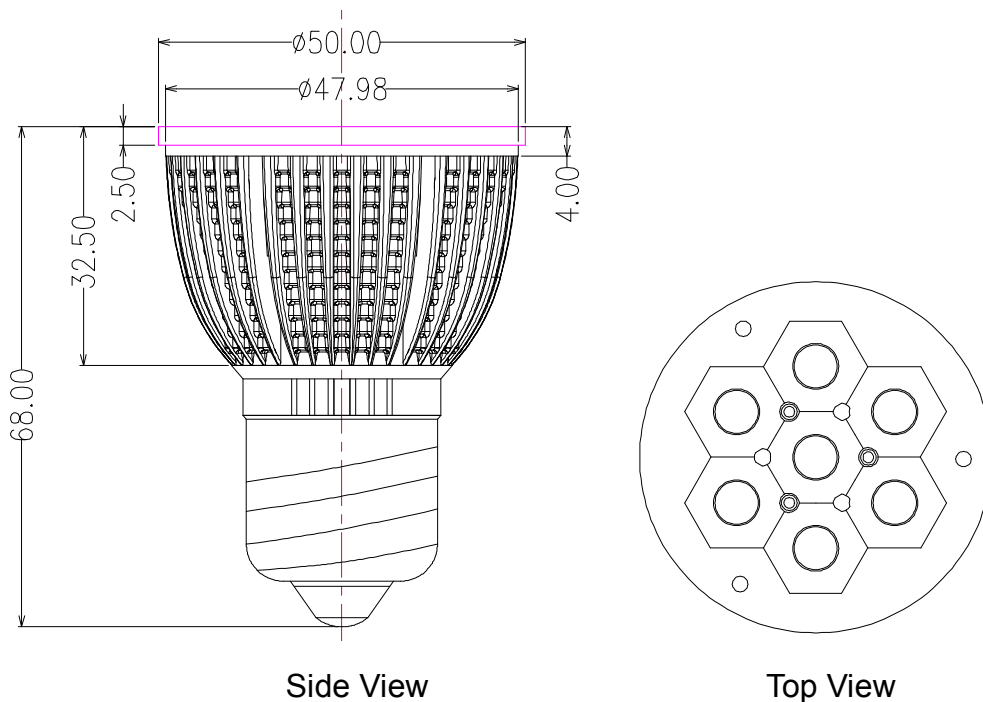
ENVIRONMENTAL SPECIFICATIONS

TEMPERATURE RANGE	Ambient: -20°C to 40°C; Surface of Lamp: 65°C to 70°C
HUMIDITY RANGE	0 to 95% non-condensing humidity

ELECTRICAL SPECIFICATIONS

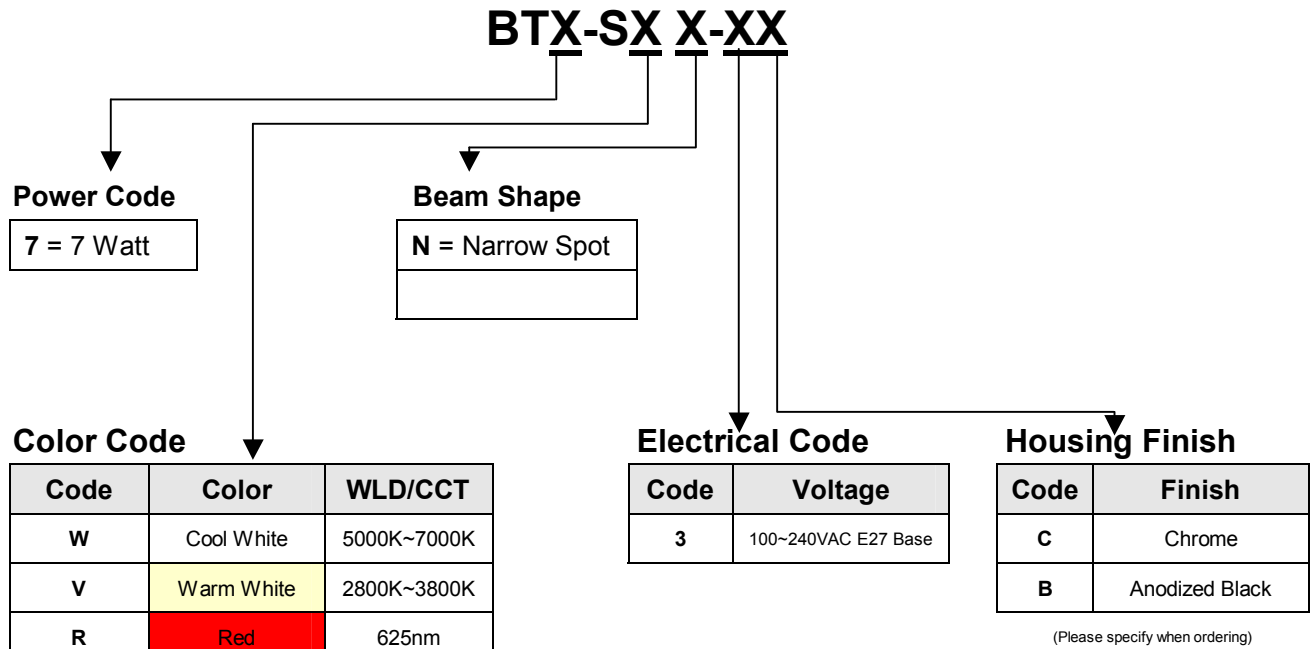
VOLTAGE REQUIREMENT	100 ~ 240V AC
POWER CONSUMPTION	7W

PRODUCT DIMENSIONS (mm)





PRODUCT ORDERING CODE



7W E27 PRODUCT CODE

ORDER CODE	Color	Wavelength or CCT (nm/K)	Operating Voltage	LED Power (W)	Typical Luminous Flux (lm)	Typical Illuminance @ 1m (Lux)	BEAM ANGLE
BT7-SWN-3SX	Cool White	5000K~7000K	100~240 V AC	7X1W	280 lm	500	10° ±2°
BT7-SVN-3SX	Warm White	2800K~3800K			140 lm	300	
BT7-SRN-3SX	Red	625 nm			280 lm	TBA	
BT7-SAN-3SX	Yellow	595 nm			250 lm	TBA	
BT7-SBN-3SX	Blue	470 nm			70 lm	20	
BT7-SGN-3SX	Green	530 nm			350 lm	TBA	

Typical Electrical Characteristics at T_a=25°C

Parameter	Symbol	Min	Typ	Max	Unit
Input Voltage (AC)	V _{AC}	100	—	240	V
LED Forward Current	I _F	—	300	—	mA
Estimated Life ^[6]		—	40,000	—	hours
Optimized Body Temperature	T	—	65	70	°C

Illumination Characteristics

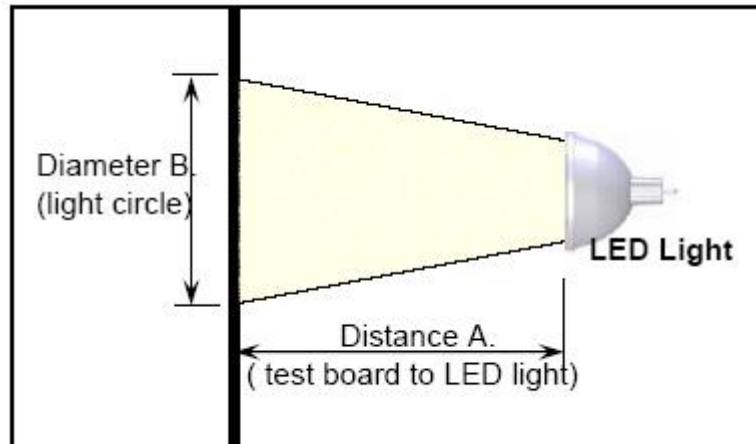


Fig 1. Set up for Illuminance Measurement

10° Narrow Spot Model

Distance		7W Typical Illuminance Measured at Center of Beam (Lux)					
Dist A (cm)	Dia. B (cm)	Cool White	Warm White	Green	Blue	Red	Yellow
30	20	5900	4200	TBA	215		TBA
50	30	2100	1450	TBA	68		TBA
100	60	600	400	TBA	20		TBA
150	100	220	150	TBA	10		TBA
200	130	130	60	TBA	8		TBA

Notes: Center beam lux is measured with Digital Lux Meter (Model TES-1334A)