



The BriLux™ V3 is latest member of V series high power LED based E27 lamp that utilizes the Cool Beam Technology™, offering a more economical, high performance and more thermally stable spotlight.

BriLux™ V3 series is a member of our “Cool Beam Technology” solutions, specially designed for high performance and maximum light intensity. The V3 series features three pieces of 1W power LED; stylish aluminum housing not only provides a fancy look of the future, but also a sophisticated heat sink as it makes heat dissipating more efficiently. **BriLux™ V3** series E27 retrofits into standard E27 fixtures and housings, hence enables immediate replacement without any additional adjustments.

The lamp features standard E27 bi-pin connectors and molded aluminum housing with chrome or frosted finish. The **BriLux™ V3** series is available in 4W power rating. They are also available in two distinct white Kelvin temperatures: 3500K and 6000K. Other standard LED colors are also available.

The **V3** series utilizes Cool Beam Technology specifically developed for driving high power (up to 5W) solid state devices. It uniquely allows heat to dissipate efficiently; making the product thermally stable for long hours of operation and last much longer than conventional 5mm LED based E27.

BriLux™ V3 series E27 is equipped with optical grade polycarbonate LED Lens that allows highest light transmission at 30° beam angle.



Features

- **Light source: 3X1W LED**
- **Source life: More than 40,000 hours**
- **Low heat, no UV or IR light radiation**
- **Full range of colors**
- **Homogeneous illumination**
- **Slick designed heat fins with excellent thermal efficiency**
- **4.5W E27 can achieve directional light output equal to 25W halogen lamp yet consume 80% less power**
- **Safety Standard: CE and RoHS**
- **Works with worldwide electrical systems (100~240V AC)**


Typical Applications

- **Landscape Accent/Spot lighting**
- **Architectural Lighting**
- **Display Case Accent**
- **Artwork Lighting**
- **Mood Lighting/General lighting**
- **Amusement Park Accent**





PRODUCT SPECIFICATIONS

LIGHT SOURCE	3X1W power LED
OPTICS	Optical grade Polycarbonate Lens
LENS DIAMETER	17.8 mm each
BEAM ANGLE	30° (Wide Spot)
MIN BEAM DISTANCE	15cm
RENDERING INDEX (Ra)	>80 (for white color)
TOTAL LENGTH	74 mm (including base)
WEIGHT	75 g
HOUSING	Molded aluminum with silver paint finish, 5 cm (2") diameter
BASE	E27 JDR Edison screw base
DIMMABILITY	Not Dimmable 

ENVIRONMENTAL SPECIFICATIONS

TEMPERATURE RANGE	Ambient: -20°C to 40°C; Surface of Lamp: 60°C to 70°C
HUMIDITY RANGE	0 to 95% non-condensing humidity

ELECTRICAL SPECIFICATIONS

VOLTAGE REQUIREMENT	100V AC ~ 240V AC
POWER CONSUMPTION	4.5W

PRODUCT DIMENSIONS (mm)

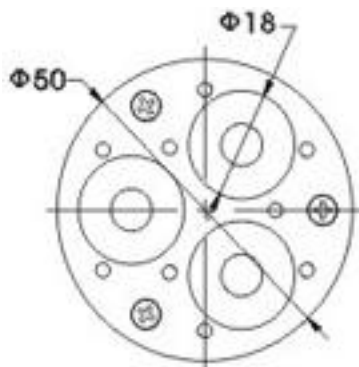


Fig 1. E27 Top View

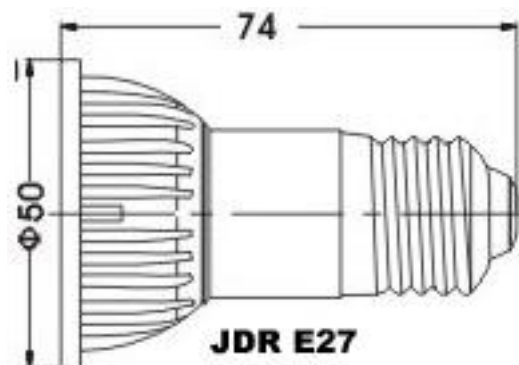
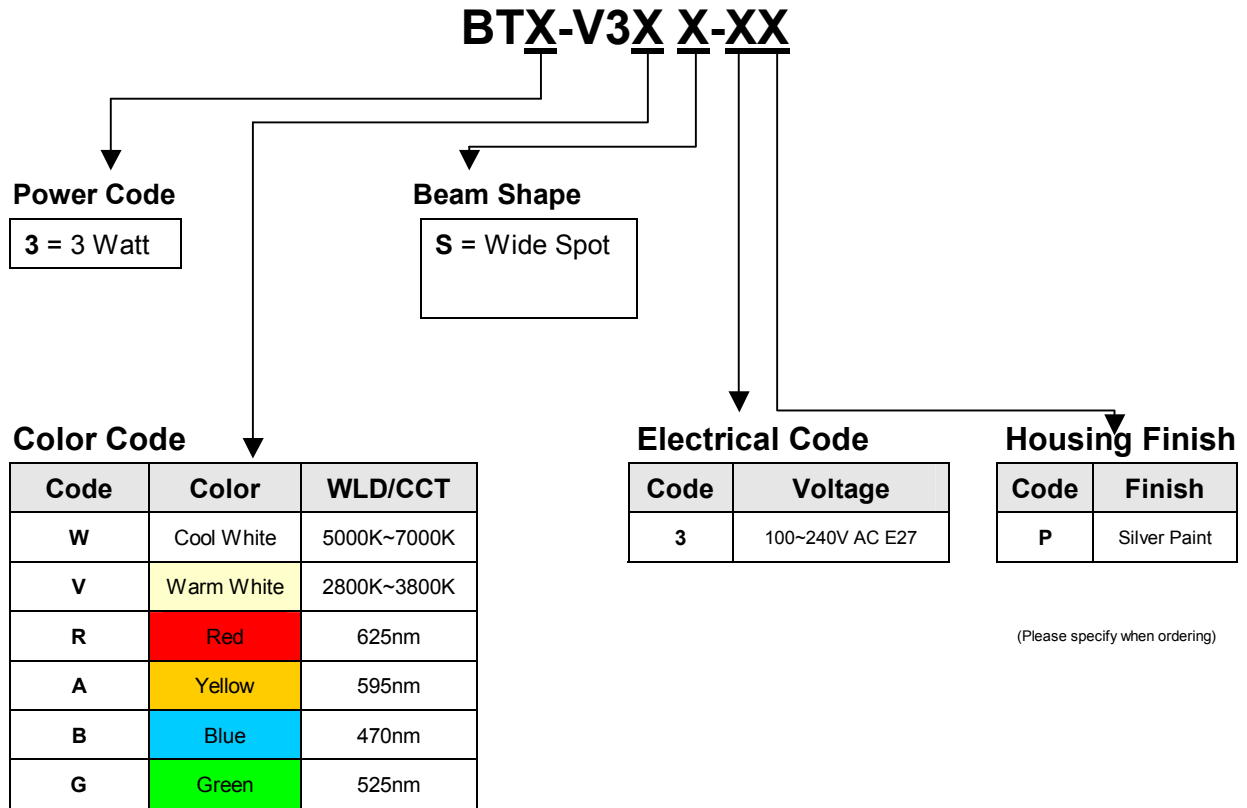


Fig 2. E27 Side View



PRODUCT ORDERING CODE



3X1W E27 PRODUCT CODE

ORDER CODE	Color	Wavelength or CCT (nm/K)	Operating Voltage	LED Power (W)	Typ. Luminous Flux (lm)	Typ. Center Illuminance @ 1m (Lux)	BEAM ANGLE
BT3-V3WS-3P	Cool White	5000K~7000K	100~240V AC	3X1W	150 lm	1100	30° ±2°
BT3-V3VS-3P	Warm White	2800K~3800K			105 lm	615	
BT3-V3RS-3P	Red	625 nm			90 lm	1300	
BT3-V3AS-3P	Yellow	595 nm			110 lm	1450	
BT3-V3BS-3P	Blue	470 nm			33 lm	1200	
BT3-V3GS-3P	Green	530 nm			140 lm	110	

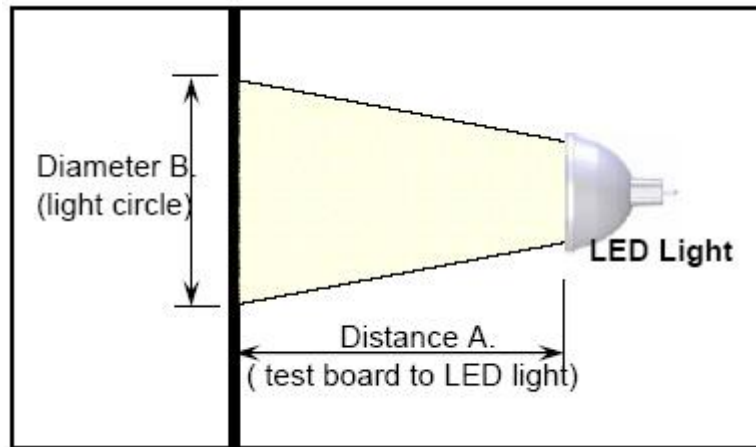
Illumination Characteristics ($T_a=25^\circ\text{C}$)


Fig 1. Set up for Illuminance Measurement

3X1W Spot Model

Distance		Typical Illuminance Measured at Center of Beam (Lux)					
Dist A (cm)	Dia. B (cm)	Cool White	Warm White	Green	Blue	Red	Yellow
30	28	—	—	—	—	—	—
50	45	4460	3000	5540	7150	5600	6580
100	86	1140	615	1200	2350	1300	1495
150	128	—	—	—	—	—	—
200	160	—	—	—	—	—	—

Note: Center beam lux is measured with Digital Lux Meter (Model TES-1334A)

Typical Electrical Characteristics at $T_a=25^\circ\text{C}$
3X1W Model

Parameter	Symbol	Min	Typ	Max	Unit
Input Voltage (AC)	V_{AC}	100	—	240	V
Individual LED Forward Current	I_F	—	340	—	mA
Estimated Life ¹		—	40,000	—	hours
Optimized Body Temp (3X1W LED)	T	—	55	60	$^\circ\text{C}$