

### Features

- Light source: 3 pieces 3 Watt Cree XRE
- Long LED life: More than 50,000 hours
- Low heat, less than 70°C for 6W
- No UV or IR light radiation
- No mercury or other inorganics
- Highest optical efficiency: 45Lm/Watt
- Homogeneous flood illumination
- Aluminum heat fins with excellent thermal efficiencies
- The **EcoLED** bulb is available in the following white color temperatures:
  - 2800K – 3500K (Warm White)
  - 4000K – 5500K (Natural White)
  - 6000K – 7000K (Cool White)
- 8W LED bulb can achieve light output equal to 40W incandescent light bulb
- Safety Standard: **CE** and **RoHS** **KEMA** pending



### Typical Applications:

- Energy Saving Programs
- Household applications
- Phasing out Edison bulbs – Government rulings and future legislation – EU policies
- Sustainable Energy
- Replace Standard GLS lamps
- General Lighting



## PRODUCT SPECIFICATIONS

<b>LIGHT SOURCE</b>	3X Cree XRE power LEDs
<b>OPTICS</b>	Optical grade glass lens
<b>BULB TYPE</b>	60 mm pear shape (PS)
<b>BEAM ANGLE</b>	140° (Flood)
<b>RENDERING INDEX (Ra)</b>	>80 (warm white) >75 (natural white) >70 (cool white)
<b>TOTAL LENGTH</b>	104.3 mm (including base)
<b>WEIGHT</b>	112 ± 2g
<b>HEATSINK</b>	Molded aluminum with silver paint finish
<b>BASE TYPE</b>	E26/E27/B22
<b>DIMMABILITY</b>	Not Dimmerble

## ENVIRONMENTAL SPECIFICATIONS

<b>TEMPERATURE RANGE</b>	Ambient: -20°C to 40°C; Surface of Lamp: 60°C to 70°C
<b>HUMIDITY RANGE</b>	0 to 95% non-condensing humidity

## ELECTRICAL SPECIFICATIONS

<b>VOLTAGE REQUIREMENT</b>	110 or 220V AC
<b>POWER CONSUMPTION</b>	8W

## PRODUCT DIMENSIONS (mm)

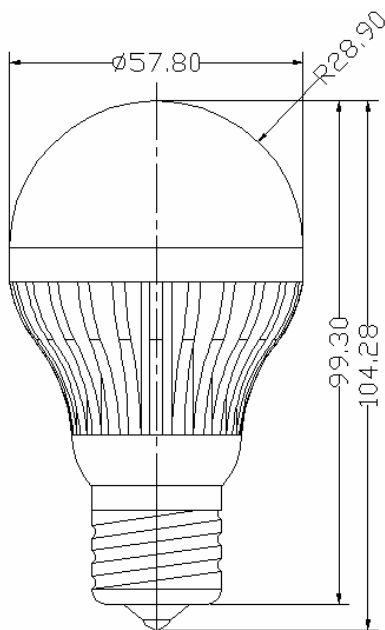


Fig 1. LED Bulb Side View

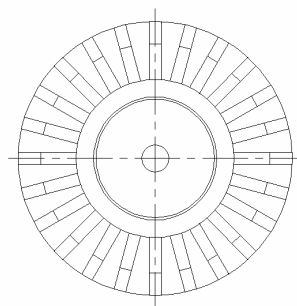


Fig 2. LED Bulb Bottom View

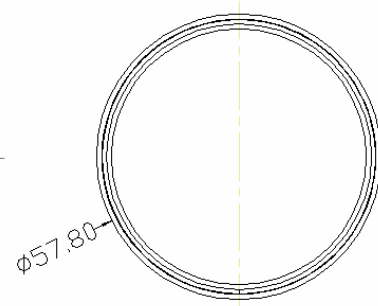


Fig 3. LED Bulb Top View



## PRODUCT ORDERING CODE

ORDER CODE	Color	Wavelength or CCT (nm/K)	Base Type	Operating Voltage	LED Power (W)	Typical Luminous Flux (lm)	Typical Illuminance @ 2m (Lux)	BEAM ANGLE
			E27	220 VAC	3X3W			140° ±2°
G60W-E27-220v	Cool White	6000K~7000K				300 lm	14	
G60N-E27-220v	Natural White	4000K~5500K				200 lm	12	
G60V-E27-220v	Warm White	2800K~3500K				180 lm	10	
			B22	220 VAC	3X3W	300 lm	14	140° ±2°
						200 lm	12	
						180 lm	10	
G60W-B22-220v	Cool White	6000K~7000K				300 lm	14	
G60N-B22-220v	Natural White	4000K~5500K				200 lm	12	
G60V-B22-220v	Warm White	2800K~3500K				180 lm	10	

Typical Electrical Characteristics at T<sub>a</sub>=25°C

## 8W Model

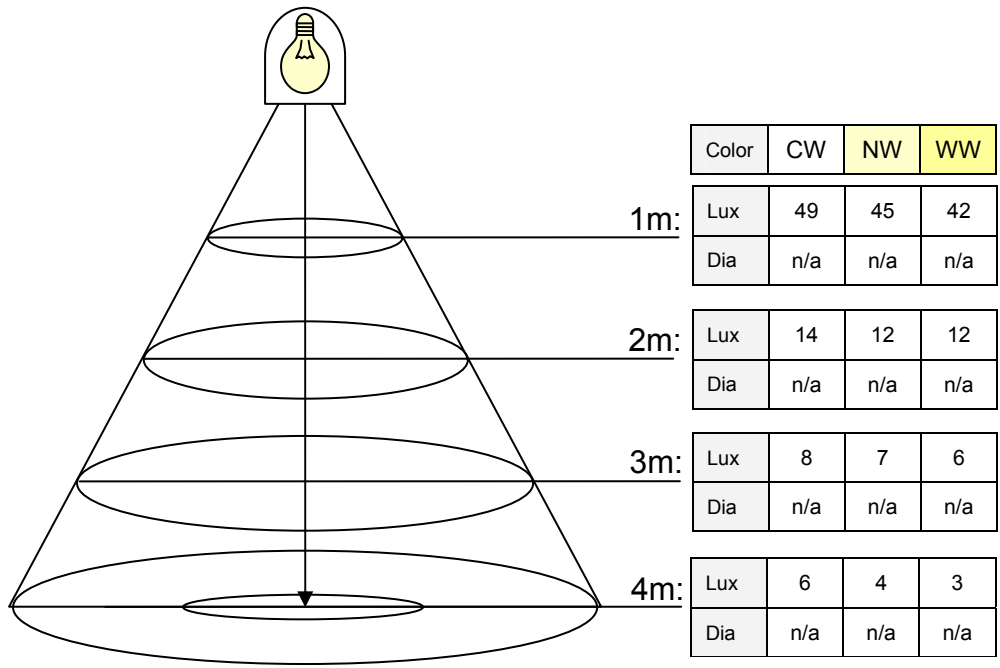
Parameter	Symbol	Min	Typ	Max	Unit
Input Voltage (220V AC)	V <sub>AC</sub>	200	-	240	V
LED Forward Current	I <sub>F</sub>	-	500	-	mA
Estimated Life <sup>[*]</sup>		-	50,000	-	hours
Optimized Body Temperature (3X2W LED)	T	-	66	68	°C

Note[\*] – Manufacturer projects EcoLED lamp made with Cree XRE LED to maintain an average of 70% lumens maintenance after 50,000 hours. This estimation is made based on data from LED manufacturer

PRELIMINARY



### LED Bulb Illuminance Measurement



- Notes:
- 1) EcoLED Bulb typical illuminance data is measured with the LED bulb installed in recess reflector can.
  - 2) Center beam lux is measured with Digital Lux Meter (Model TES-1334A)

PRELIMINARY